



# MASTER 4

## 4 LIGHT RELAY CONTROLLER

### IMPORTANT:

Read this entire instruction manual before attempting to install and operate this unit. If you are unfamiliar with electrical wiring and circuits, we highly recommend that you consult with a licensed electrician and/or have the unit professionally installed. All local and national electrical codes must be followed. Do not use this unit for purposes other than what it is designed for. Do not exceed the maximum ratings of this unit. Incorrect installation or use of this product could result in injury, damage to the unit or the connected devices, or even fire.

### TECHNICAL SPECIFICATIONS

Main Power Voltage	120V or 240V
Receptacle Type	Universal
Maximum Lighting Wattage	4000W (1000W/outlet)
Maximum Relay Amperage	30 amps
Operating Temperature Range	32 - 110°F
Operating Humidity Range	0 - 99% (non condensing)
Minimum Relay Operations	100,000 @ Full Load

### MAIN POWER REQUIREMENTS:

1. The user must provide a source of main power for the lights to operate. The main power connection must be rated for the amperage of the lights to be connected to the unit.
2. The main power can be hard wired into a circuit breaker panel or the user can install the appropriate high amperage portable cable and connector end (not included).
3. The Master 4 should have a 30 amp, 2 pole circuit breaker and #10 AWG wire to provide the main power.
4. A ground lug is provided to connect the ground wire. Do not operate this product without a ground wire connected properly.
5. Most applications will use 240V power. It is up to the user to ensure that all ballasts connected to the unit are wired for 240V.
6. If the unit is to be used for 120V ballasts, ensure that all of the ballasts connected are wired for 120V operation.

### BALLAST REQUIREMENTS:

The ballast that will be used with the Master 4 must be wired for the correct voltage. Most applications will use 240V main power and require a ballast that operates on 240V power. It is the user's responsibility to ensure that all of the lighting devices that are connected to this unit are rated for the voltage being provided by the main power.

**Note:** The Master 4 can be used to operate 120V devices IF the main power provided to the unit is also 120V. Connecting a ballast wired for 120V power into a unit that has 240V main power could result in damage to the devices or fire. Consult your ballast manufacturer if you have any questions concerning the electrical requirements.

### INSTALLATION:

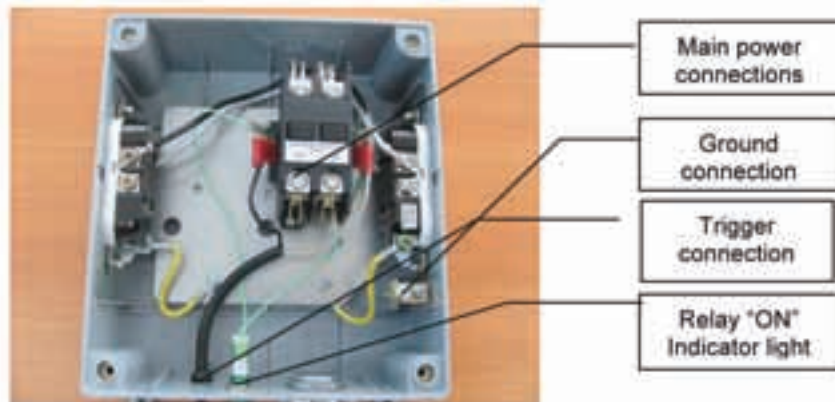
**Note:** DO NOT connect any ballast to the Master 4 until AFTER the power has been installed and verified to be the correct voltage for the ballast.

#### Connecting the Main Power

1. Loosen the 4 screws on the front cover.
2. Insert the appropriate sized main power cable into the cable clamp at the bottom of the unit. Secure the cable clamp.
3. Insert the green or bare ground wire into the grounding terminal and secure the ground wire.
4. Remove the insulation from the red and black main power wires and insert the bare wire ends into the 2 power connection points on the power relay (marked with a small sticker). Secure the wires tightly to ensure a good connection. Loose connections will cause the terminals on the relay to overheat, causing damage to the unit that is NOT covered by warranty.

## Connecting the Main Power Cont'd

5. If a voltage tester is available, the user can verify the correct voltage being supplied BEFORE connecting the ballasts to the receptacles.
6. Turn on the circuit breaker or connect the main power cable connection. The unit will now be "powered."
7. Using the volt meter, carefully touch one tester probe to each of the main power connection points. The volt meter should read approximately 240 volts (if connected to a 240 circuit) or approximately 120 volts (if connected to a 120 circuit).
8. Once the correct voltage has been verified, carefully reinstall the cover on the unit using the 4 screws.



## Testing the 120V Trigger Cable

1. The main relay(s) inside the unit will be turned ON when the trigger cable is connected and activated. The trigger cable must be connected to a timer or lighting controller that will provide 120 volts to the main relays.
2. When the trigger cable is connected and plugged into the timer/controller, the relays will "close" and the small indicator light on the bottom of the Master 4 will be illuminated.
3. When the trigger cable is disconnected, the relay will "open" and the indicator light will turn off. Once the trigger has been tested for proper operation, unplug the trigger cable.

## Connecting the Ballast

1. The final step in the installation is to connect the ballast power cables to the receptacles on the sides of the Master 4. Make sure the trigger cable is not powered up while plugging in or disconnecting the ballasts.
2. Once the ballasts are connected, the unit is now ready for operation.
3. Connect and power up the trigger cable. The unit should activate and the lights should now be turned on.

**The manufacturer, distributors, and their retailers cannot be held responsible for any damage or injuries, consequential or otherwise, arising from the use of this product. The user of this product assumes all responsibility for the installation and proper use of this product.**

## Limited Warranty

DL Wholesale Inc. doing business (collectively DL) warrants that for a period of three years from the date of purchase, this product will be free from defects in material and workmanship. DL, at its option, will repair or replace this product or any component of the product found to be defective during the warranty period. Replacement will be made with a new or remanufactured product or component. If the product is no longer available, replacement may be made with a similar product of equal or greater value. This is your exclusive warranty. DO NOT attempt to repair or adjust any electrical or mechanical malfunctions on this product. Doing so will void this warranty and may cause serious injury/death/damage.

This warranty is valid for the original retail purchaser from the date of the initial retail purchase and it not transferable. Keep the original sales receipt. Proof of purchase is required to obtain warranty performance. DL dealers, distributors, service centers and retail outlets selling DL products do not have any right to alter, modify or in any way change the terms and conditions of this warranty. This warranty does not cover normal wear of parts or damage resulting from the following: negligent use or misuse of the product, use on improper voltage or current, use contrary to the operating instructions, use contrary to any and all applicable local, state, provincial or federal laws, disassembly, repair or alteration by anyone other than DL or an DL authorized service center. Future, the warranty does not cover: Acts of God, such as fire, flood, hurricanes, tornadoes, nor Acts of War or Acts of Terrorism.

**THIS PRODUCT CONFORMS TO USA AND CANADA STANDARDS AS LISTED BELOW**



**DISTRIBUTED BY**  
**DL WHOLESALE**  
DLWHOLESALE.COM